

VOLA S50, S50D, S50DH
 VOLA KV3, KV4, KV9, KV10, KV15
 VOLA HV5, HV8, HV10
 VOLA SC2, SC4, SC6, SC8, SC11, SC13

Fitting instruction
 Montageanleitung
 Monteringsvejledning
 Monteringsvægledning
 Montage hanleiding
 Manuel de montage



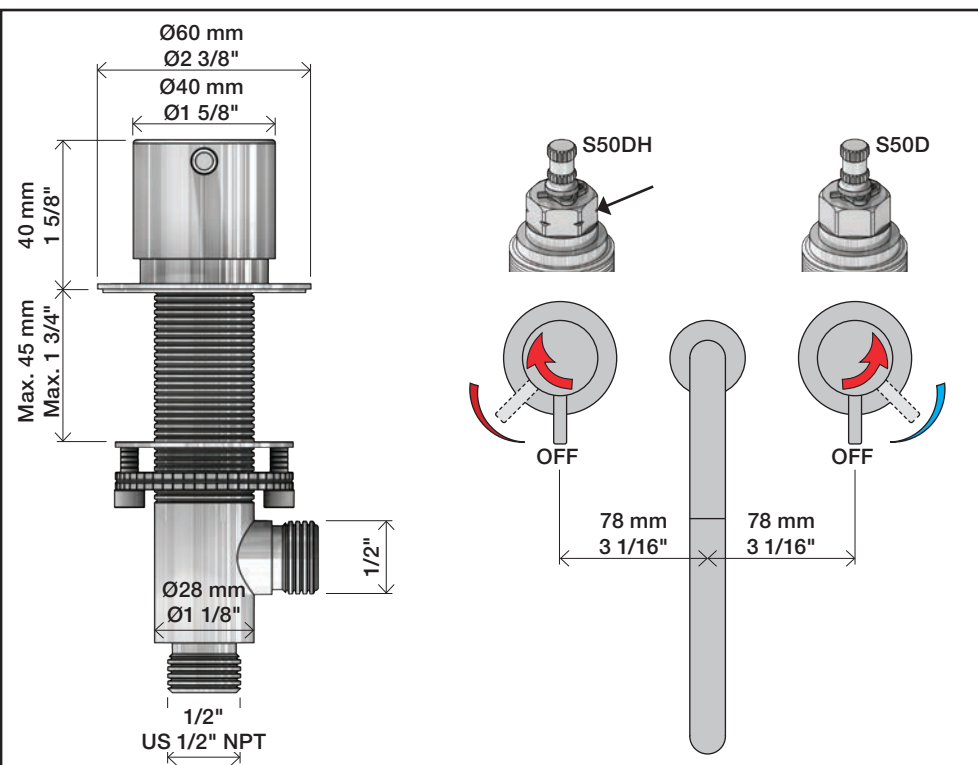
04/00115
 04/00307
 04/00340



www.vola.com

vola

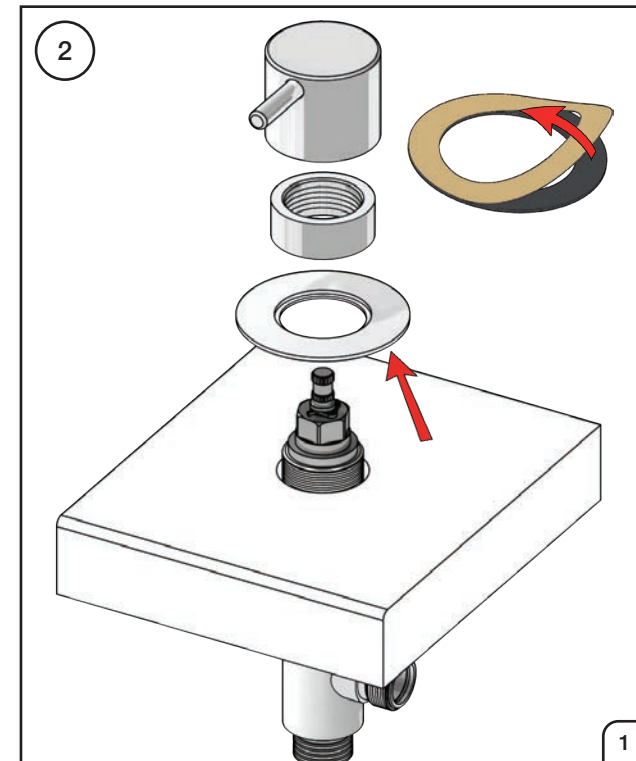
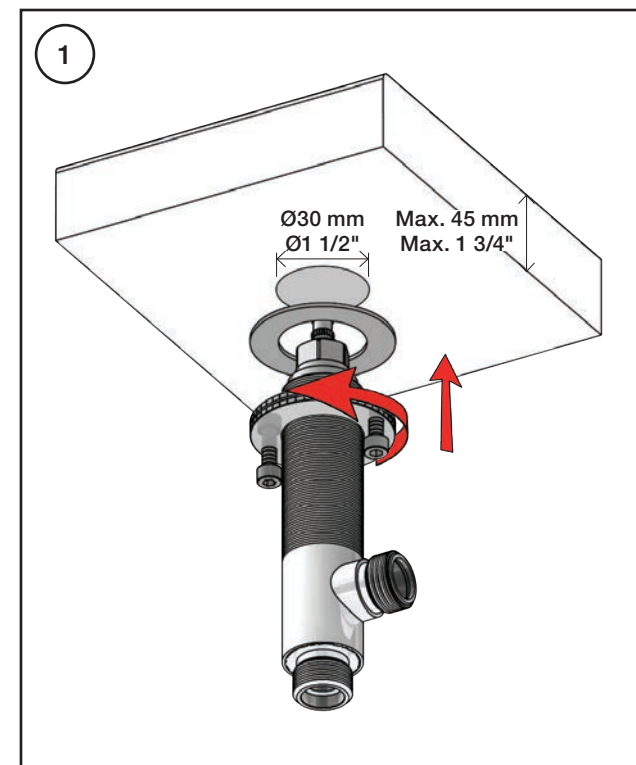
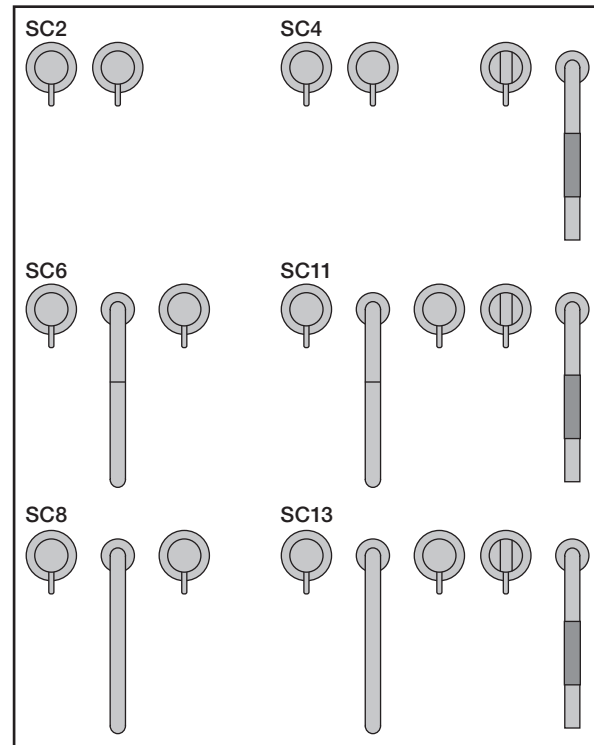
S50_V9_40999831
 08-08-2024

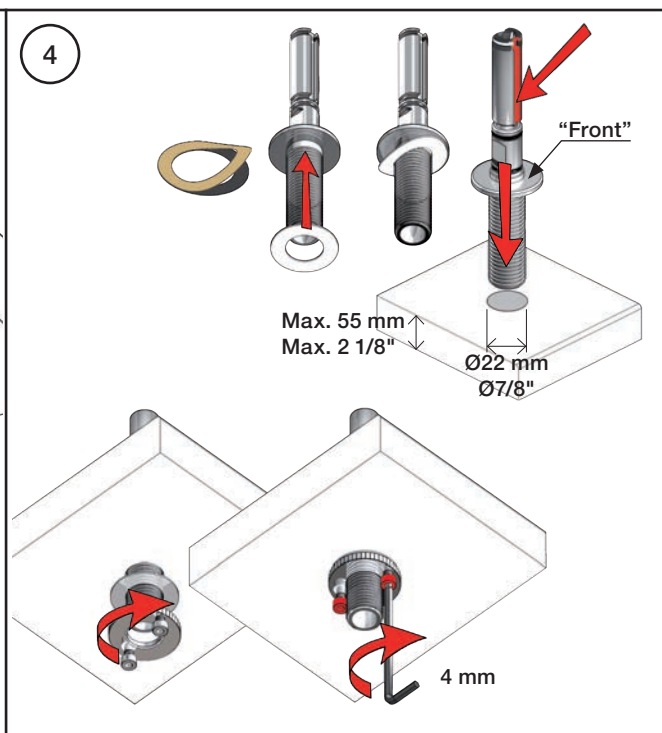
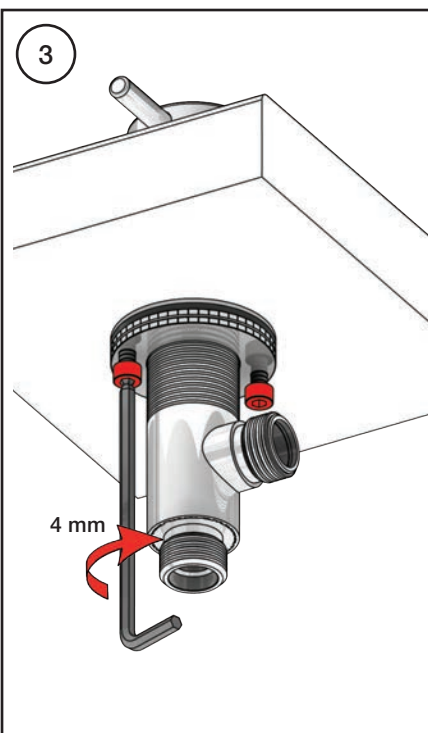


Data, 3 Bar/43.5 Psi:

| | l/min. | Gal/min. |
|---------------------|--------|----------|
| S50: | 32,0 | 8.5 |
| KV3: | 30,0 | 7.9 |
| KV4: | 9,0 | 2.4 |
| KV10, 15: | 9,0 | 2.4 |
| HV5, 8, 10: | 9,0 | 2.4 |
| SC2, 4 (A24): | 16,0 | 4.2 |
| SC6, 8, 11, 13: (C) | 26,0 | 6.9 |

Max. 65°C, 150°F





4A

| mm: | H | D | h |
|------|-----|-----|-----|
| 090 | 210 | 200 | 145 |
| 090A | 110 | 85 | 40 |
| 090B | 185 | 100 | 114 |
| 090C | 185 | 100 | 114 |
| 090D | 220 | 200 | 130 |
| 090E | 170 | 200 | 65 |
| 090G | 185 | 140 | 105 |
| 090H | 265 | 230 | 155 |
| 090I | 325 | 230 | 216 |
| 090V | 355 | 145 | 270 |

| Inches: | H | D | h |
|---------|---------|--------|---------|
| 090 | 8 1/2" | 8" | 5 3/4" |
| 090A | 4 1/4" | 3 1/2" | 1 1/2" |
| 090B | 7" | 4" | 4 1/2" |
| 090C | 7" | 4" | 4 1/2" |
| 090D | 8 3/4" | 8" | 5" |
| 090E | 6 3/4" | 8" | 2 1/2" |
| 090G | 7" | 5 1/2" | 4" |
| 090H | 10 1/2" | 9" | 6" |
| 090I | 12 3/4" | 9" | 8 1/2" |
| 090V | 14" | 5 3/4" | 10 1/2" |

5

090: KV4
090A: HV5
090B: HV8
090D: KV3, SC6, SC11
090E: KV9, SC8, SC13
090G: KV10
090H: KV15
090V: HV10

Ø19 mm: 13 mm
Ø24 mm: 17 mm

VR688

VOLA 090, 090A, 090B:
 VOLA 090C, 090D, 090E:
 VOLA 090G, 090H, 090I, 090V:

1 - 4

VOLA 090FM:

5

Fitting instruction Monteringsvægledning
 Montageanleitung Montage hanledning
 Monteringsvejledning Manuel de montage



04/00045
 04/00109



www.vola.com

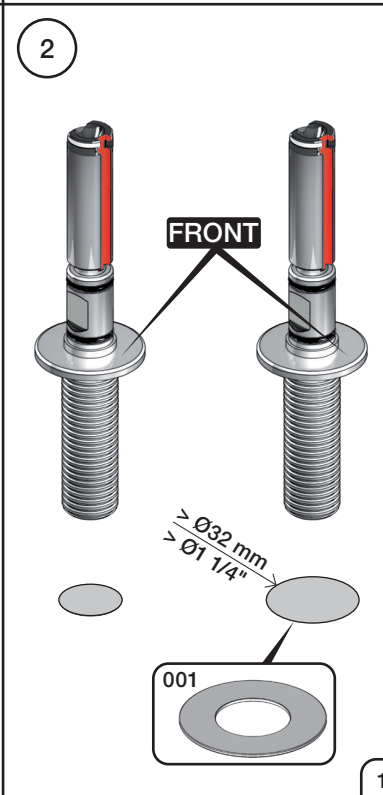
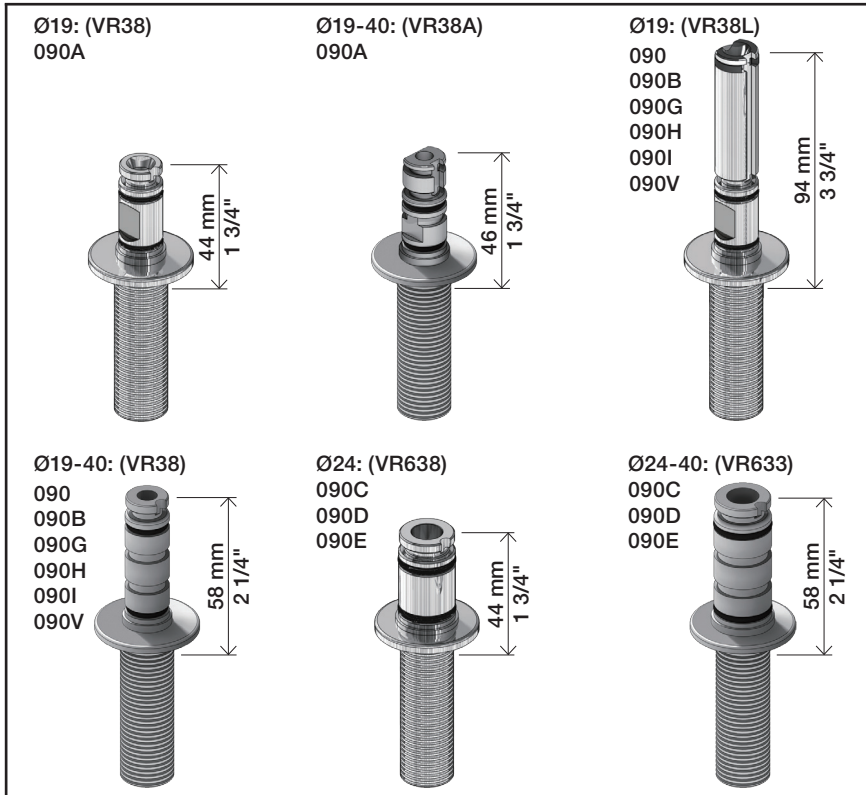
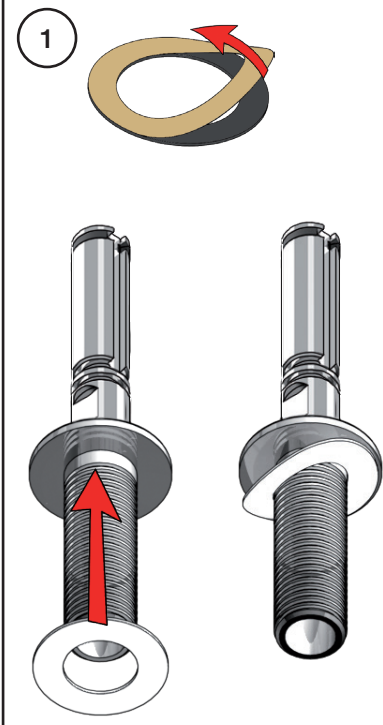
vola

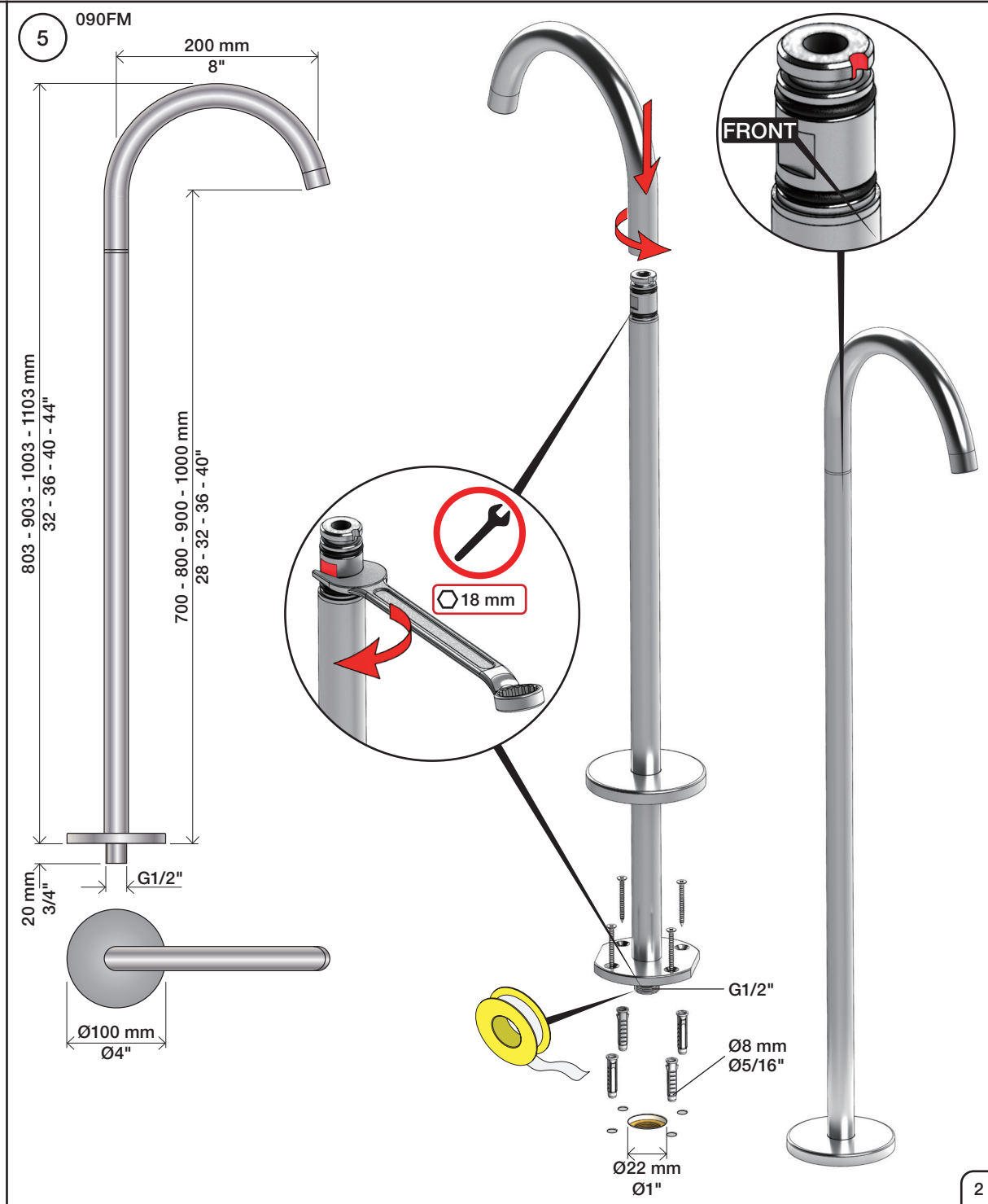
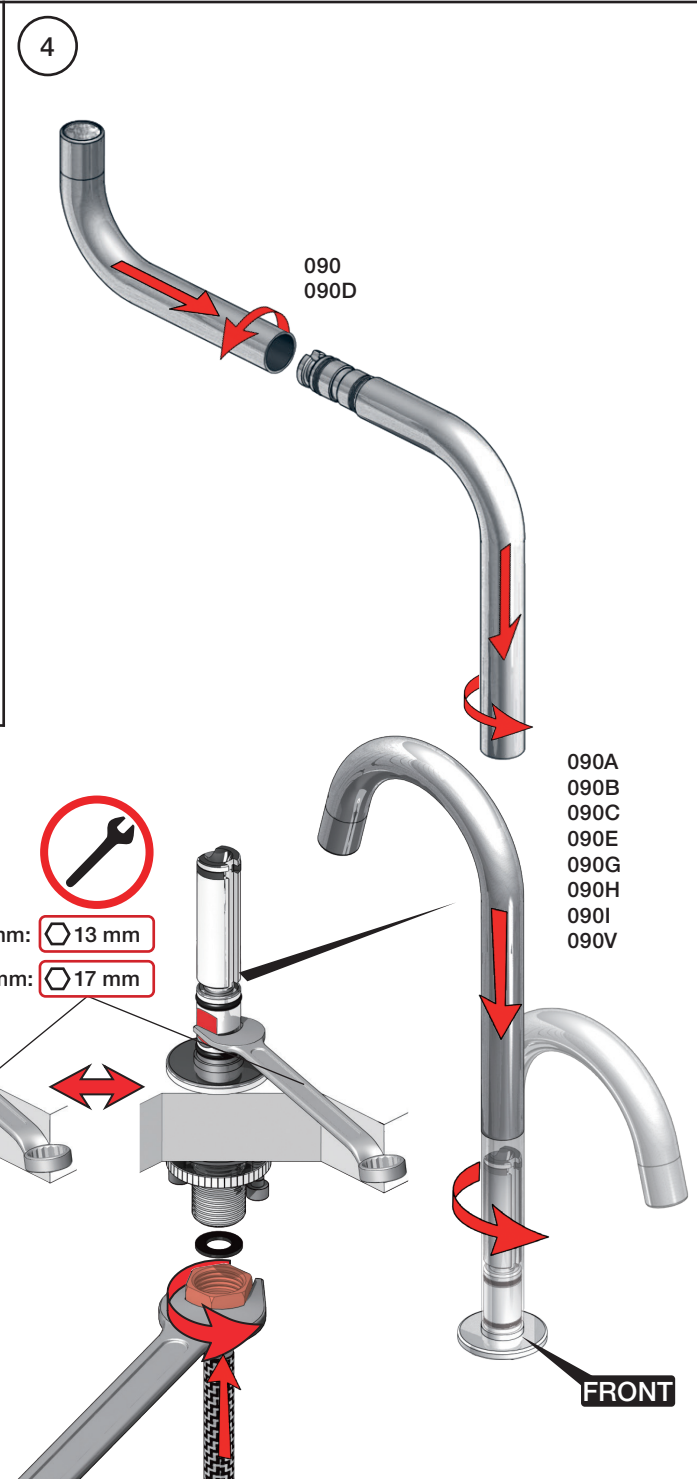
mnt_090_V4_40999824
 21-11-2023

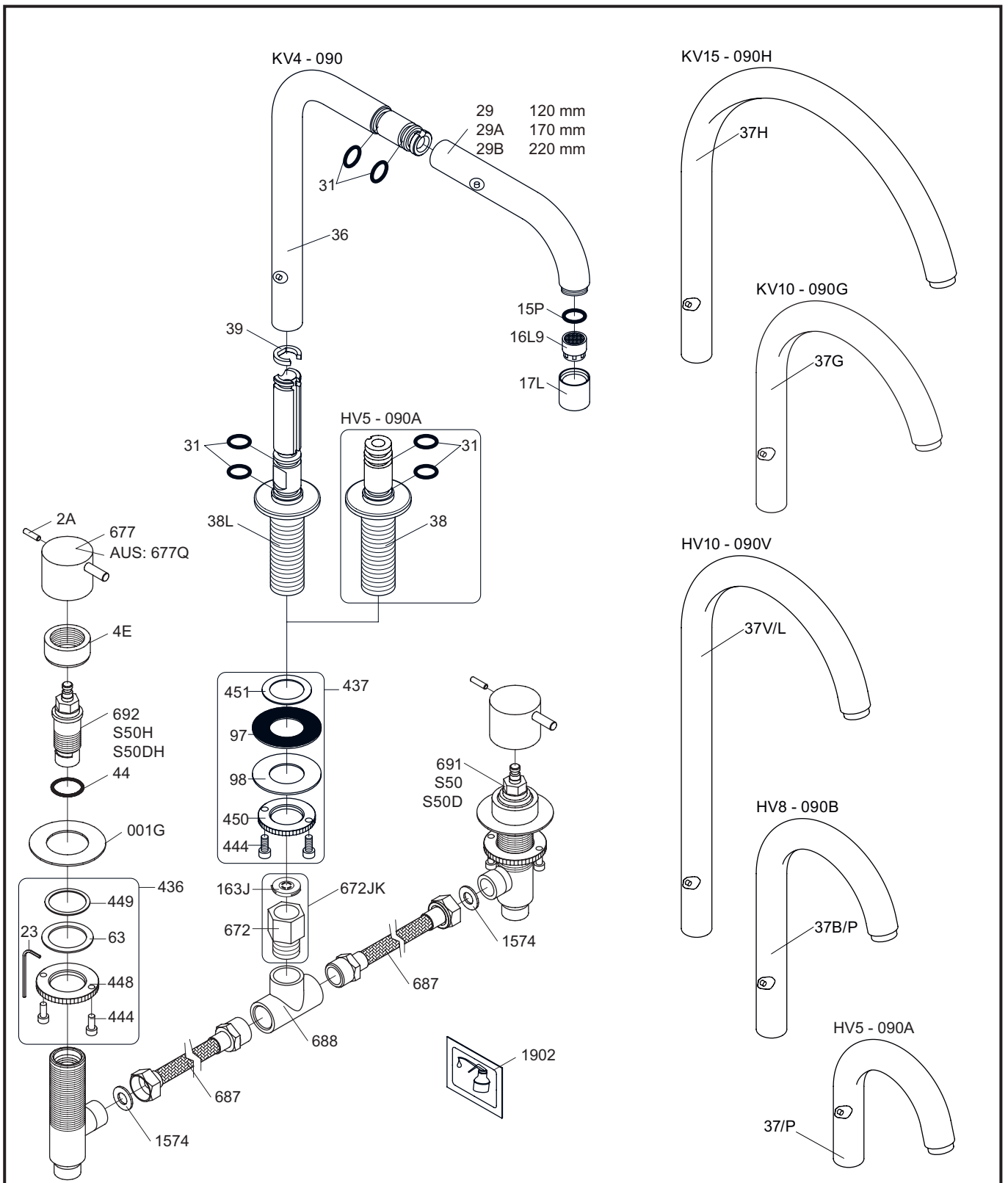


| mm: | Ø | H | D | h |
|------|----|-----|-----|-----|
| 090 | 19 | 210 | 200 | 145 |
| 090A | 19 | 110 | 85 | 40 |
| 090B | 19 | 185 | 100 | 114 |
| 090C | 24 | 185 | 100 | 114 |
| 090D | 24 | 220 | 200 | 130 |
| 090E | 24 | 170 | 200 | 65 |
| 090G | 19 | 185 | 140 | 105 |
| 090H | 19 | 265 | 220 | 155 |
| 090I | 19 | 325 | 220 | 215 |
| 090V | 19 | 355 | 145 | 270 |

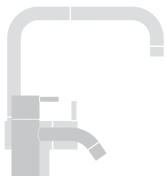
| Inches: | Ø | H | D | h |
|---------|------|---------|--------|---------|
| 090 | 3/4" | 8 1/4" | 8" | 5 3/4" |
| 090A | 3/4" | 4 1/4" | 3 1/2" | 1 1/2" |
| 090B | 3/4" | 7" | 4" | 4 1/2" |
| 090C | 1" | 7" | 4" | 4 1/2" |
| 090D | 1" | 8 3/4" | 8" | 5" |
| 090E | 1" | 6 3/4" | 8" | 2 1/2" |
| 090G | 3/4" | 7" | 5 1/2" | 4" |
| 090H | 3/4" | 10 1/2" | 8 5/8" | 6" |
| 090I | 3/4" | 12 3/4" | 8 5/8" | 8 1/2" |
| 090V | 3/4" | 14" | 5 3/4" | 10 1/2" |







- | | |
|----------|-----------------------------------|
| NR.7: | VR2A, VR23, VR677 |
| VR090: | VR15P, VR16L9, VR17L |
| VR436: | VR63, 2xVR444, VR448, VR449 |
| VR437: | VR97, VR98, 2xVR444, VR450, VR451 |
| VR672JK: | VR163J, VR672 |
| VR691K: | VR23, VR691 |
| VR692K: | VR23, VR692 |



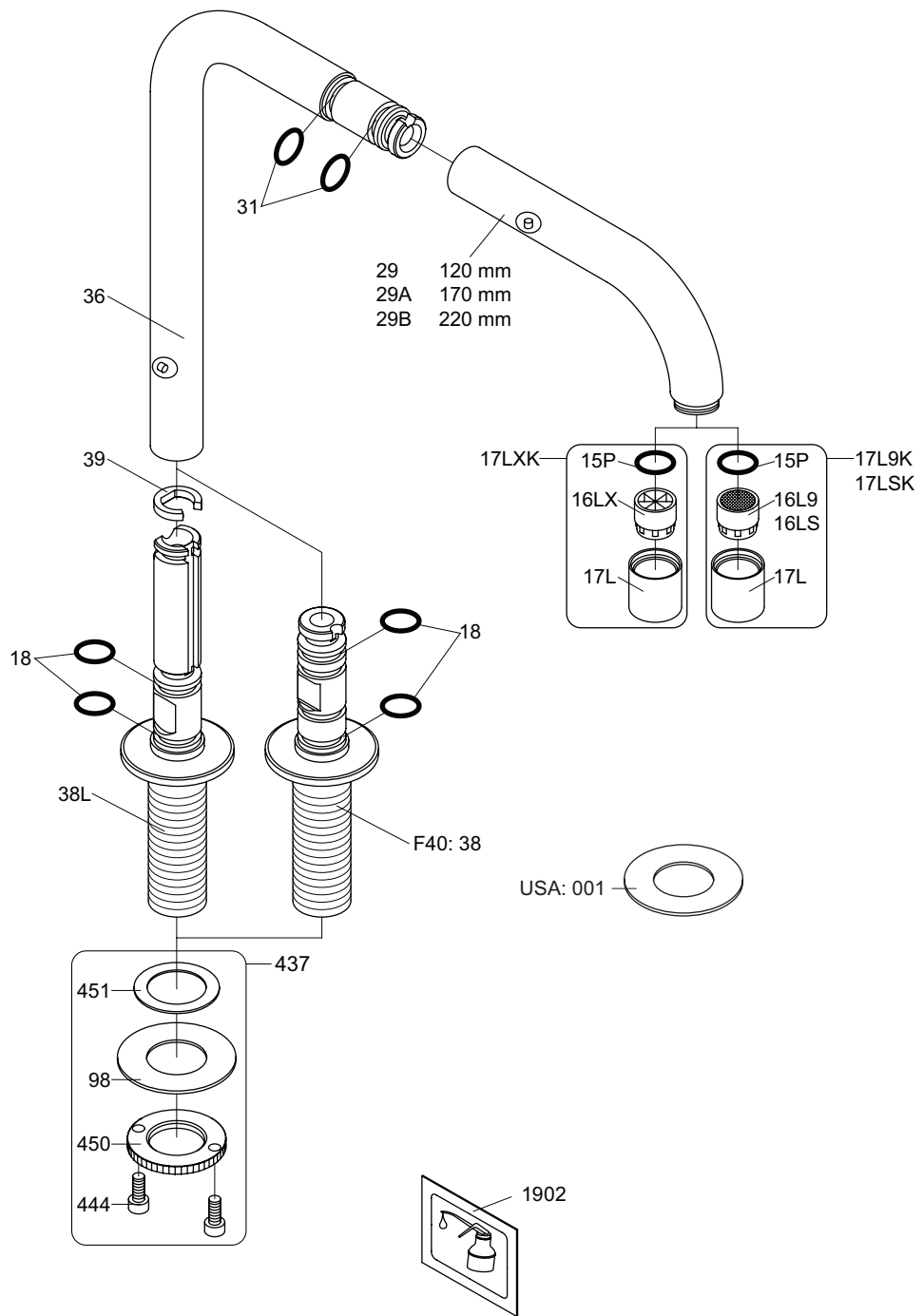
vola
 Lunavej 2
 DK-8700 Horsens
 Tlf : + 45 7023 5500
 sales@vola.com
 www.vola.com

VOLA KV4/KV10/KV15 VOLA HV5/HV8/HV10

Date
Apr. 21

Rev.
4

Sheet
SB 27.6



VR17L9K: VR15P, VR16L9, VR17L
 VR17LSK: VR15P, VR16LS, VR17L
 VR17LXK: VR15P, VR16LX, VR17L
 VR090L9: VR15P, VR16L9, VR17L, 2xVR18, 2xVR31, VR1902
 VR437: VR98, 2xVR444, VR450, VR451



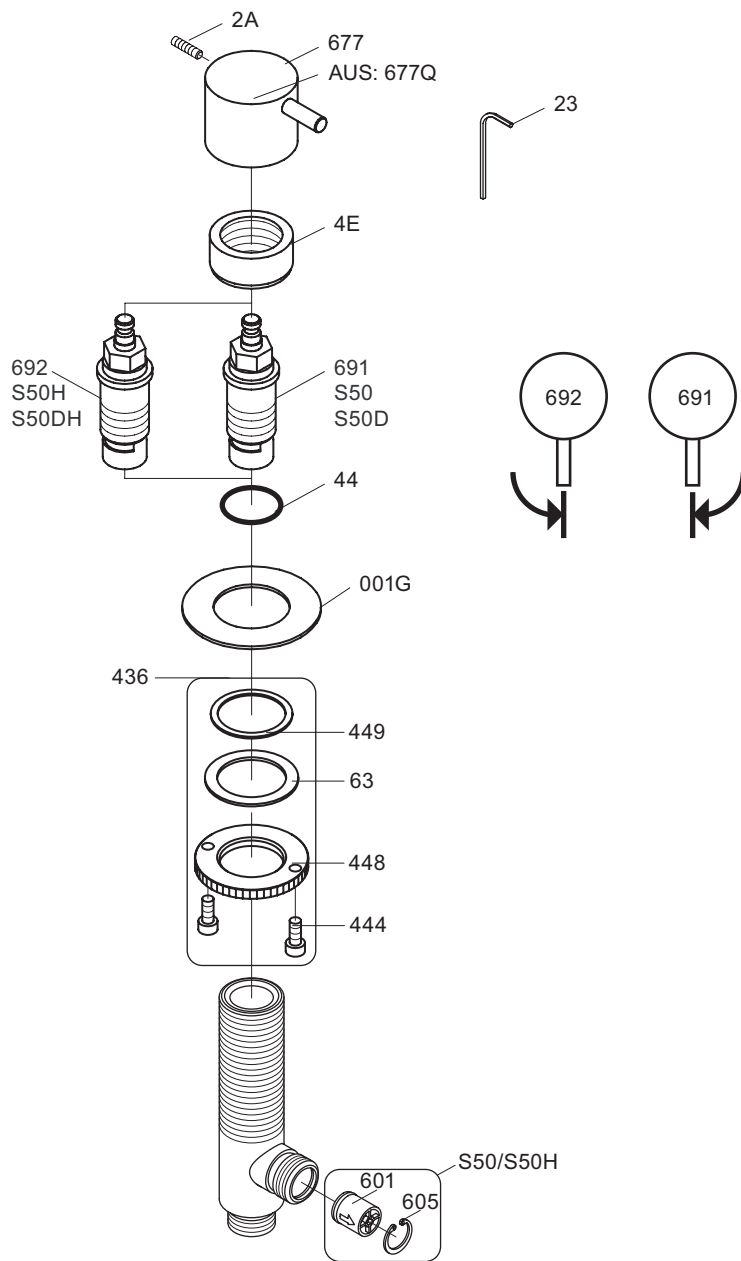
vola
 Lunavej 2
 DK-8700 Horsens
 Tlf : + 45 7023 5500
 sales@vola.com
 www.vola.com

VOLA 090

Date
Okt. 16

Rev.
3

Sheet
SB 18



VR691i: VR23, VR44, VR691
 VR692i: VR23, VR44, VR692
 VR436: VR63, 2xVR444, VR448, VR449
 NR.7: VR2A, VR23, VR677



vola
 Lunavej 2
 DK-8700 Horsens
 Tlf : + 45 7023 5500
 sales@vola.com
 www.vola.com

VOLA S50/S50H
VOLA S50D/S50DH

Date
 Sep. 09

Rev.
 2

Sheet
 SB 31.3