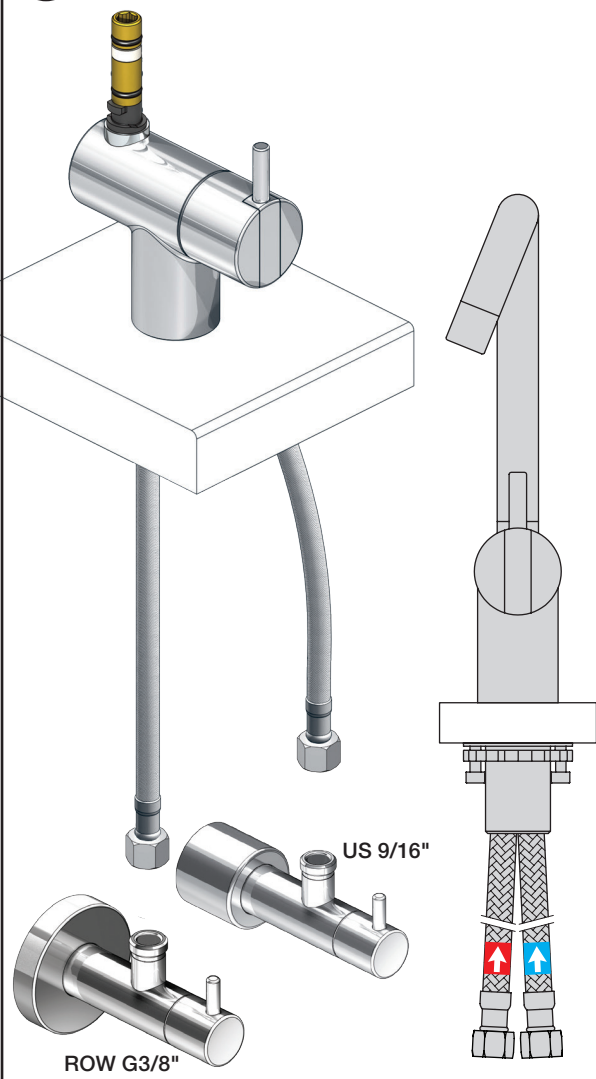
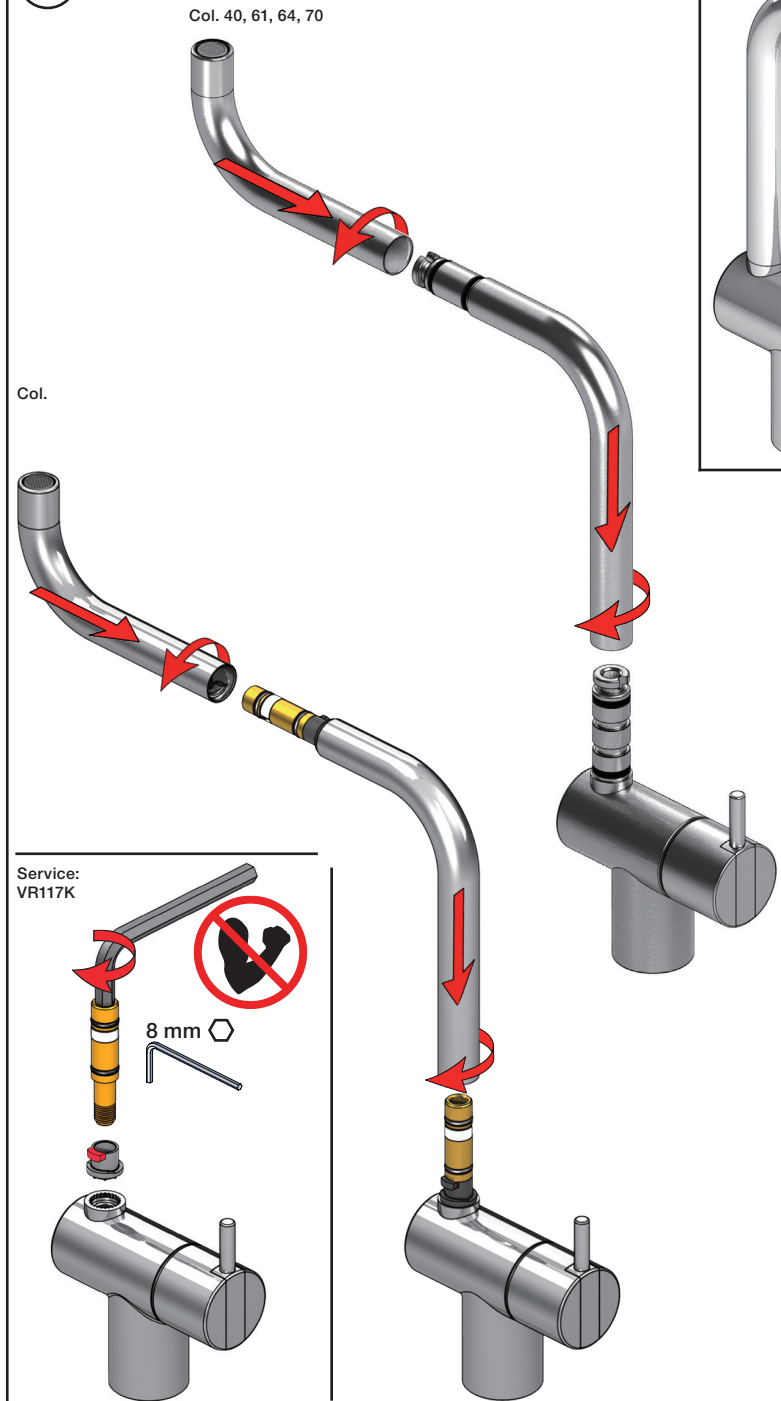


4



5

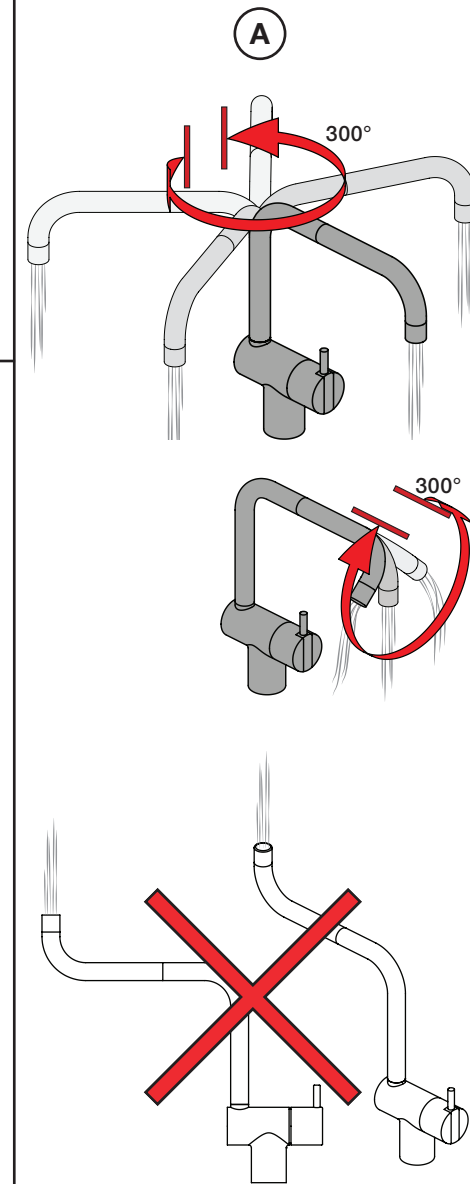


KV1L/KV1M

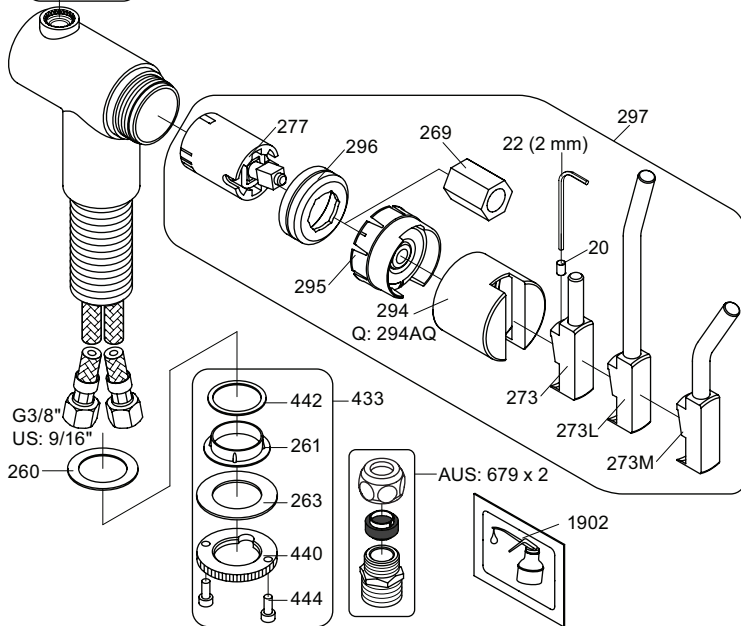
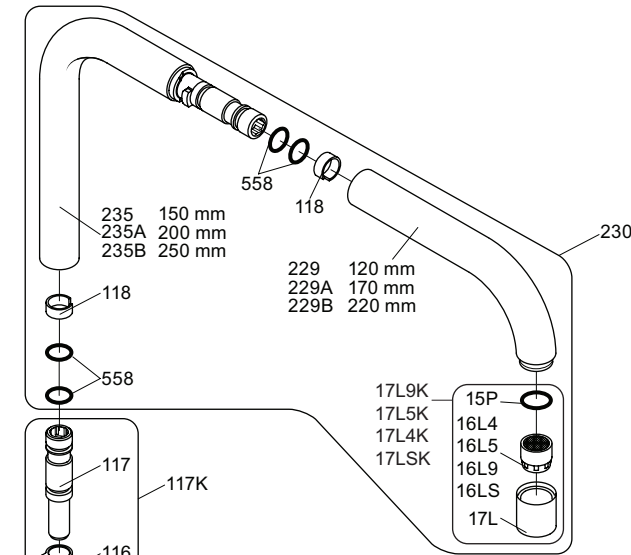


Operation
Bedienung
Betjening

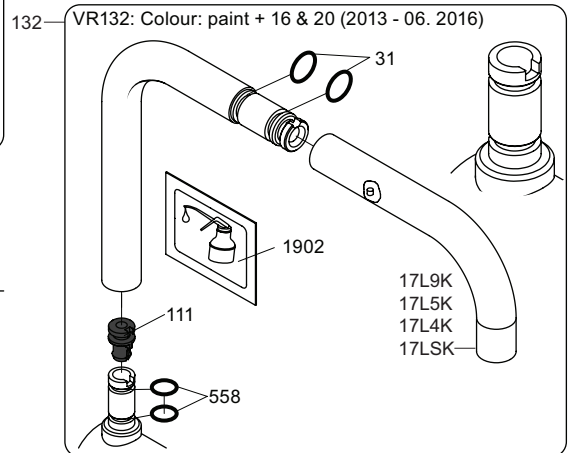
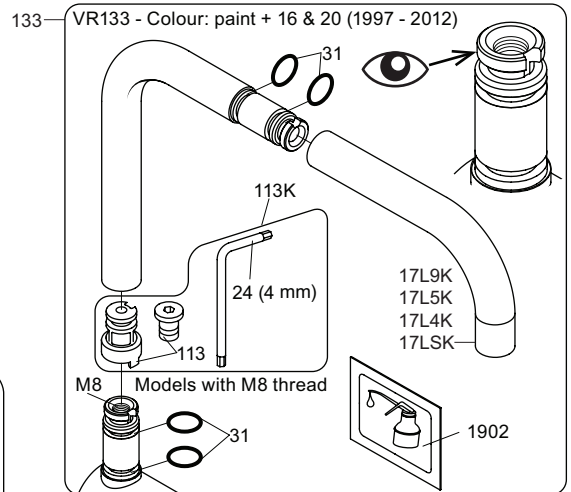
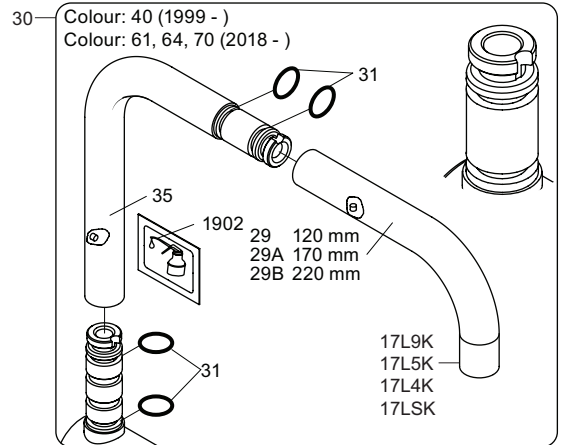
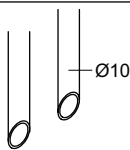
Bruk
Bediening
Fonctionnement



Colour: 02, 04, 05, 06, 08, 09, 12, 14, 15, 16, 17,
18, 19, 20, 21, 25, 27, 60, 62, 63, 65, 66



Cu:
KV1: Ø10
KV1US: Ø3/8"
KV1Q: Ø3/8"



- NR.10/L/M: VR20, VR22, VR273/L/M, VR294, VR295
 VR17L4K: VR15P, VR16L4, VR17L (US Standard)
 VR17L5K: VR15P, VR16L5, VR17L
 VR17L9K: VR15P, VR16L9, VR17L
 VR17LSK: VR15P, VR16LS, VR17L
 VR30: VR15P, VR16L9, VR17L, VR29, 4xVR31, VR35, VR1902 (F40) (and KV1 from 1972 - 1996)
 VR132: VR15P, VR16L9, VR17L, 2xVR31, 2xVR558, VR1902 (2013 - 06. 2016)
 VR133: VR15P, VR16L9, VR17L, VR24, 4xVR31, VR113, VR1902 (1997 - 2012)
 VR230: VR15P, VR16L9, VR17L, 2xVR118, VR229, VR235, 4xVR558, VR1902 (06-2016 -)
 VR117K: VR116, VR117, VR118, 2xVR558, VR1902
 VR277K: VR22, VR269, VR277
 VR297/L/M: VR20, VR22, VR269, VR273/L/M, VR277, VR294, VR295, VR296
 VR433: VR261, VR263, VR440, VR442, 2xVR444



vola
Lunavej 2
DK-8700 Horsens
Tlf : + 45 7023 5500
sales@vola.com
www.vola.com

KV1 Family:

KV1: /250, /300
 KV1L: /250, /300
 KV1M: /250, /300

Date
Jan. 23

Rev.
9

Sheet
SB25.2