

Do not cut the membrane **Snij het membraan niet door**
Die Membran nicht schneiden **Ne coupez pas la membrane**
Skær ikke membranen **No cortar la membrana**
*** Skär inte membranet**



NR.51+52:

1

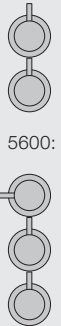
NR.52AUS+64:

2

5100/5200V:



5300:



5400:

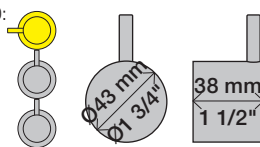


5600:



NR 51

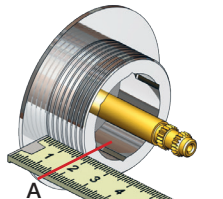
5300/5600:



5100/5200/5400:



NR 51 - 1



VR2279

VR2279B

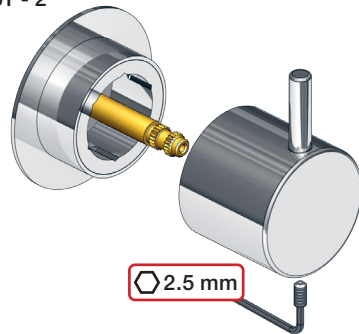
VR2279C



VR5250/VR5410/VR2019		
Tiles:	3 - 15 mm	Std.
Fliesen:	15 - 25 mm	+10
Fliser:	25 - 35 mm	+20
Tegels:	35 - 45 mm	+30
Carreaux:	45 - 55 mm	+40
	55 - 65 mm	+50

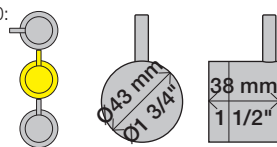
A		
VR2279	16 mm	16 - 22 mm
VR2279B	12 mm	12 - 18 mm
VR2279C	8 mm	8 - 15 mm

NR 51 - 2



NR 52

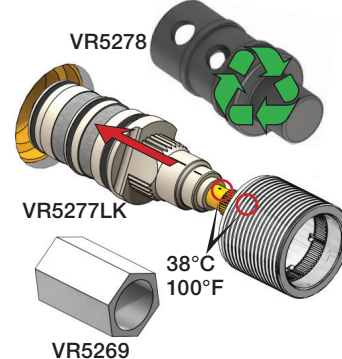
5300/5600:



5100/5200/5400:



NR 52 - 1



VR5278

VR5277LK

VR5269

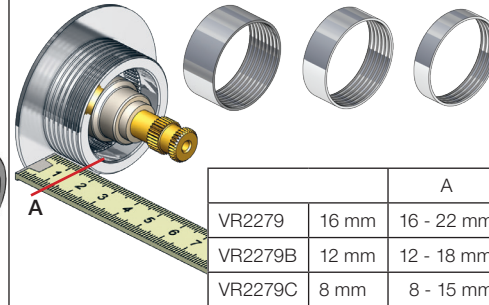
38°C
100°F

NR 52 - 2

VR2279

VR2279B

VR2279C



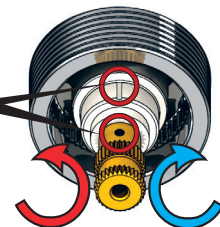
		A
VR2279	16 mm	16 - 22 mm
VR2279B	12 mm	12 - 18 mm
VR2279C	8 mm	8 - 15 mm

NR 52 - 3

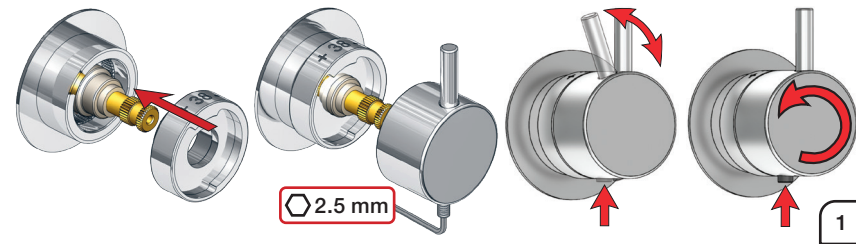
Anti scald settings
 Verbrühschutz
 Skoldningssikring
 Skállnings skydd
 Broeien verzekeringen
 Prévention des brûlures



38°C
100°F



NR 52 - 4





Australia only 5300/5600:

5100/5200/5400:



NR 64



5400:

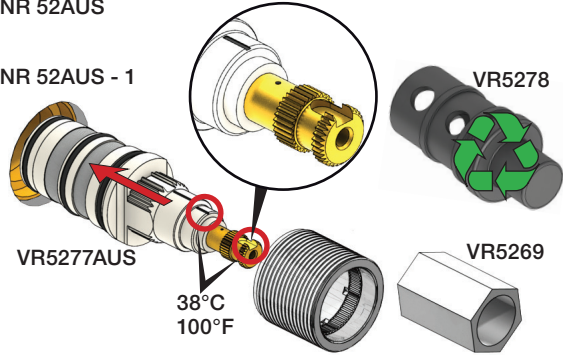


5600:

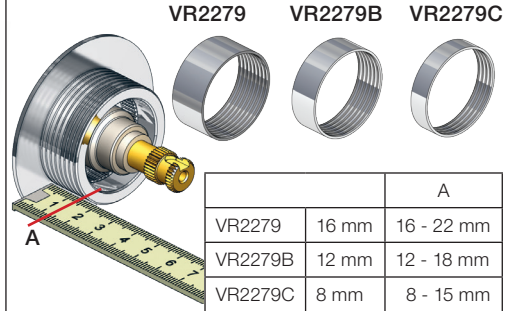


NR 52AUS

NR 52AUS - 1

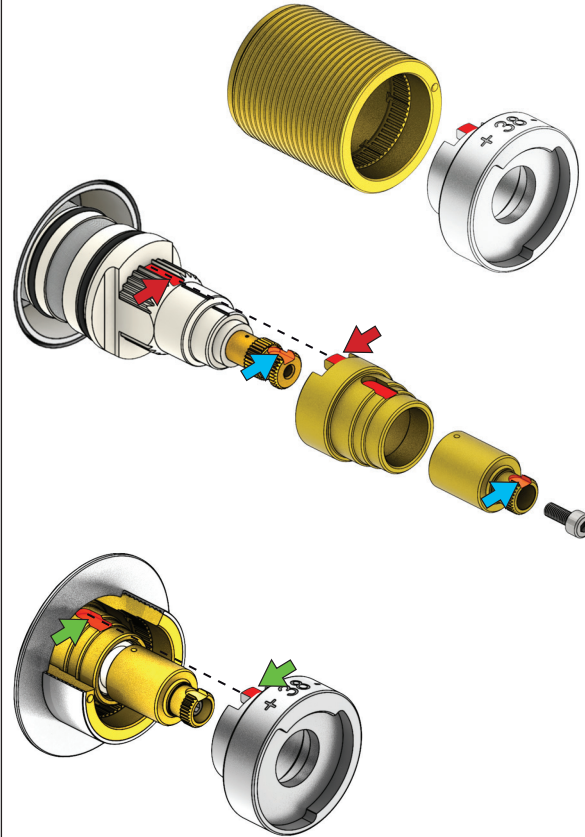


NR 52AUS - 2

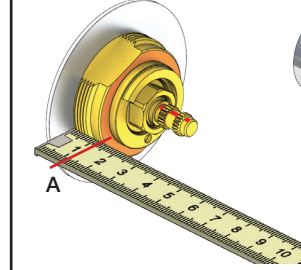


	A	
VR2279	16 mm	16 - 22 mm
VR2279B	12 mm	12 - 18 mm
VR2279C	8 mm	8 - 15 mm

Extension NR 52AUS



NR 64 - 1



VR2279



VR2279B

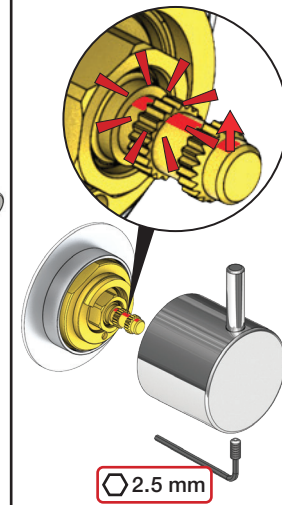


VR2279C

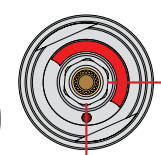


	A	
VR2279	16 mm	20 - 27 mm
VR2279B	12 mm	17 - 22 mm
VR2279C	8 mm	13 - 18 mm

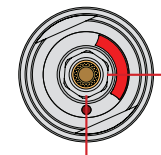
NR 64 - 2



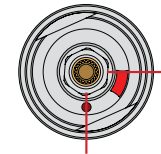
5400:



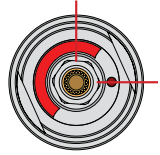
5400A3:



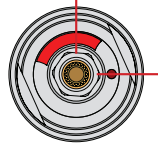
5400A4:



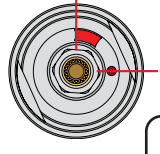
5600:



5600A3:



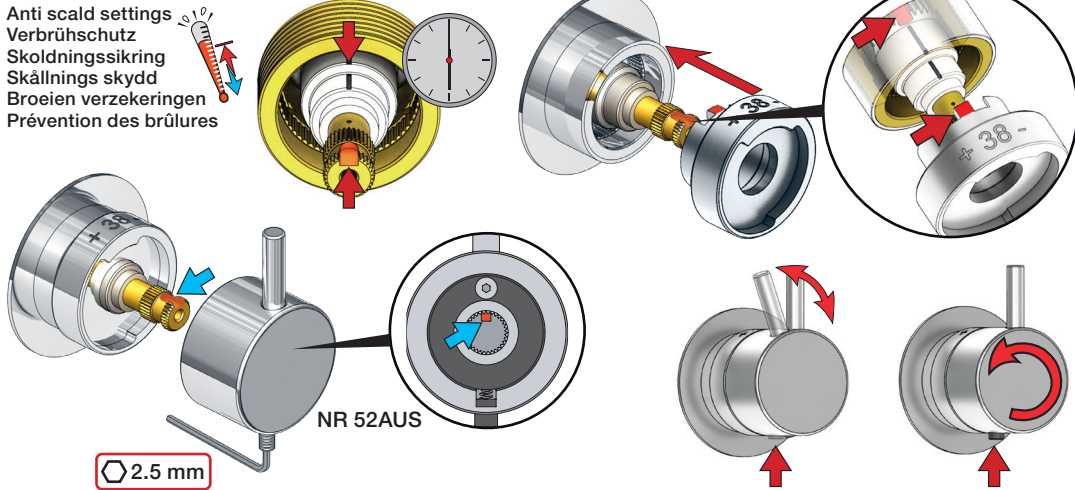
5600A4:

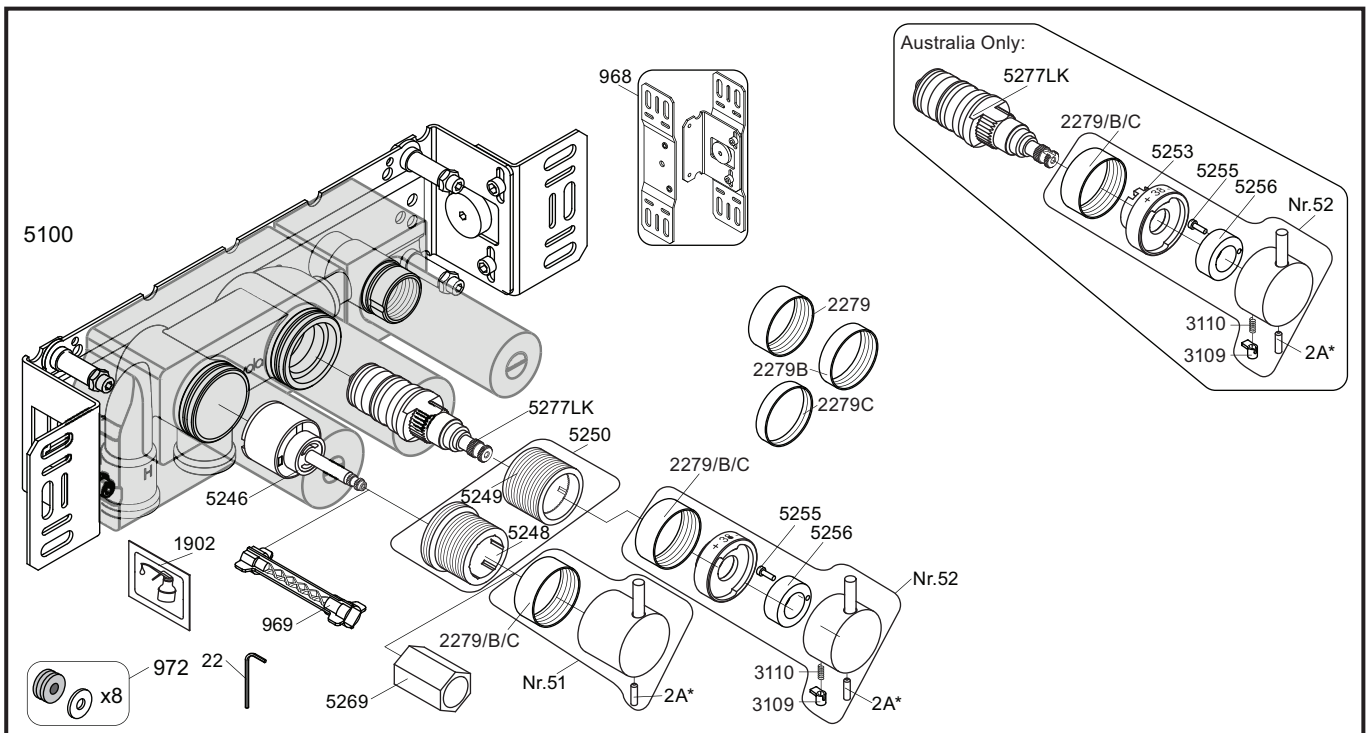


NR 52AUS - 3

Anti scald settings
Verbrûhschutz
Skoldningssikring
Skållnings skydd
Broeien verzekerigen
Prévention des brûlures

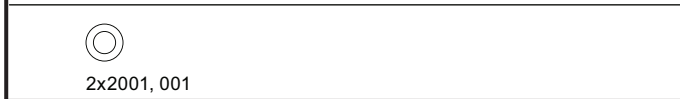
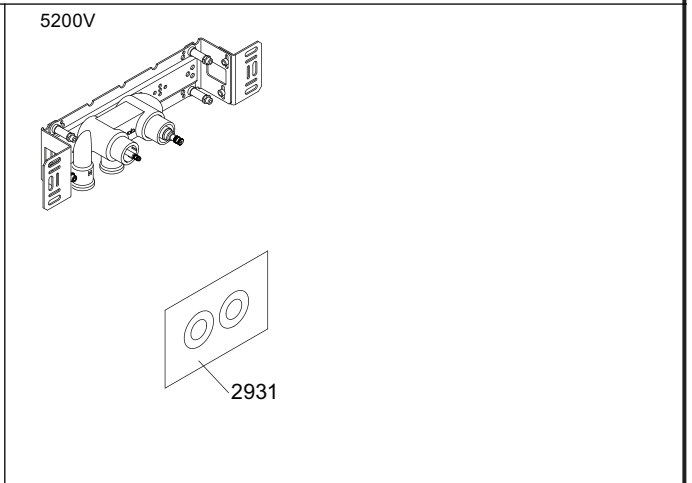
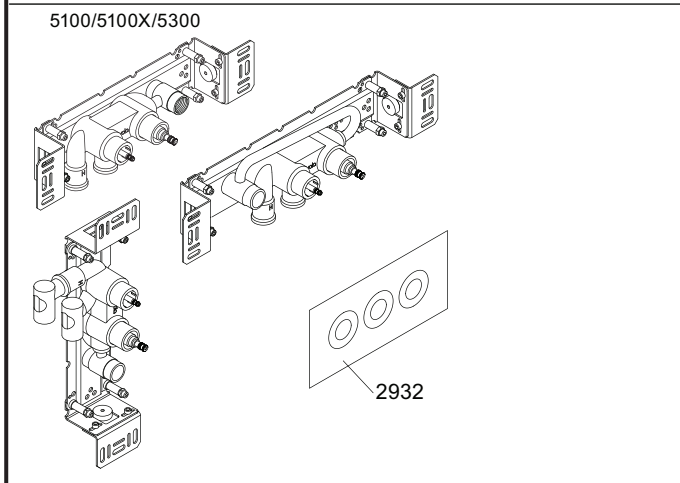
38°C/100°F





	<p>2A* Color</p> <p>VR2A-Steel: Standard VR2A-F60: F17-F27-F60 VR2A-F63: F63-F64 VR2A-F65: F19-F65-F70</p>	
--	----------------------------------------------------------------------------------------------------------------------------------------------------	--

<p>NR51: NR52: VR3113: VR5250+: VR5250AUS+: VR5257+: VR5258+:</p>	<p>VR5251, VR2279+B+C, VR2A VR2A, VR5252, VR5253, VR5255, VR5256, VR2279+B+C, VR3113, VR2A VR3109, VR3110, VR5255 VR5248+, VR5249+, VR5257, VR5258, VR5259, VR5260 VR5248+, VR5249+, VR5257, VR5258, VR5259, VR5260, VR5275 VR5257+, VR5259+ VR5258+, VR5260+</p>
-------------------------------------------------------------------------------------------------------------------------------------------------	-------------------------------------------------------------------------------------------------------------------------------------------------------------------------------------------------------------------------------------------------------------------------------------------------------------------------------------------------




vola
 Lunavej 2
 DK-8700 Horsens
 Tlf : + 45 7023 5500
 sales@vola.com
 www.vola.com

VOLA 5100
 5100X, 5200V, 5300

<p>Date May 22</p>
<p>Rev. 4</p>
<p>Sheet SB 10.51</p>