

VOLA S50, S50D, S50DH
 VOLA KV3, KV4, KV9, KV10, KV15
 VOLA HV5, HV8, HV10
 VOLA SC2, SC4, SC6, SC8, SC11, SC13

Fitting instruction
 Montageanleitung
 Monteringsvejledning
 Monteringsvægledning
 Montage hanleiding
 Manuel de montage



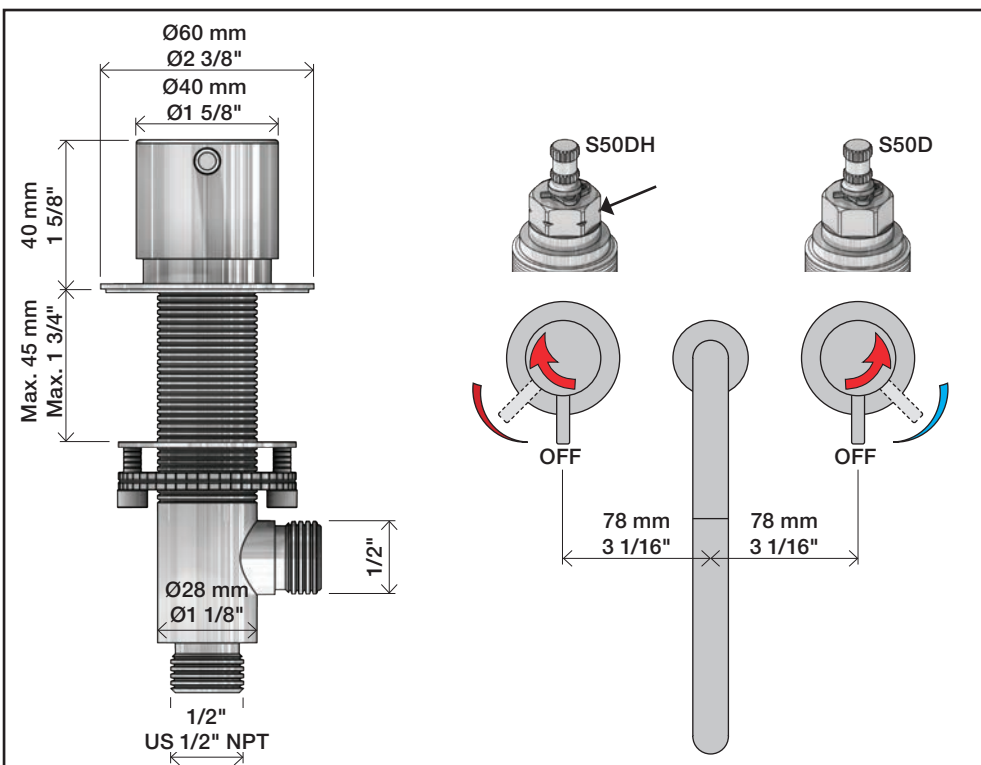
04/00115
 04/00307
 04/00340



www.vola.com

vola

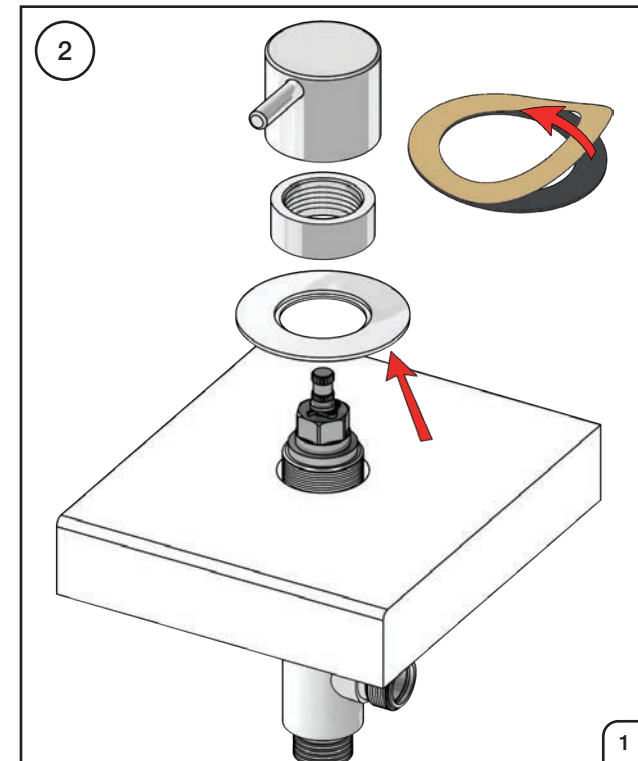
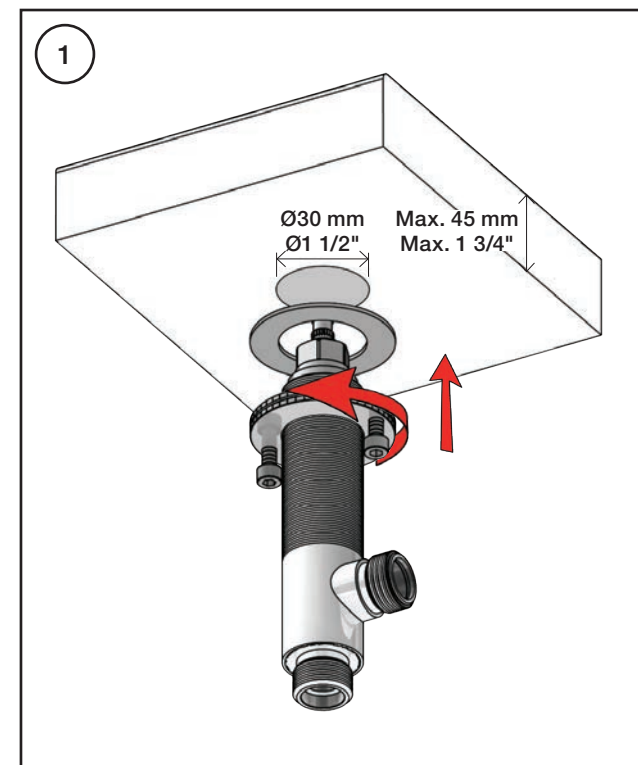
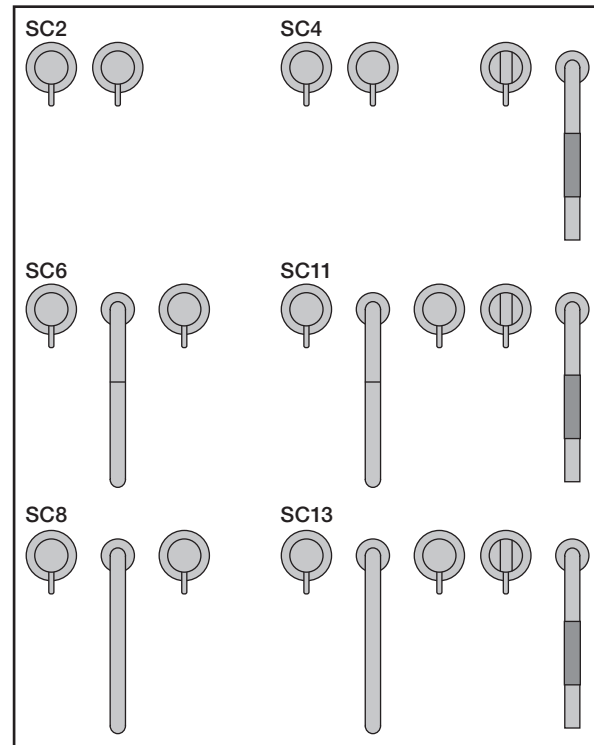
S50_V9_40999831
 08-08-2024

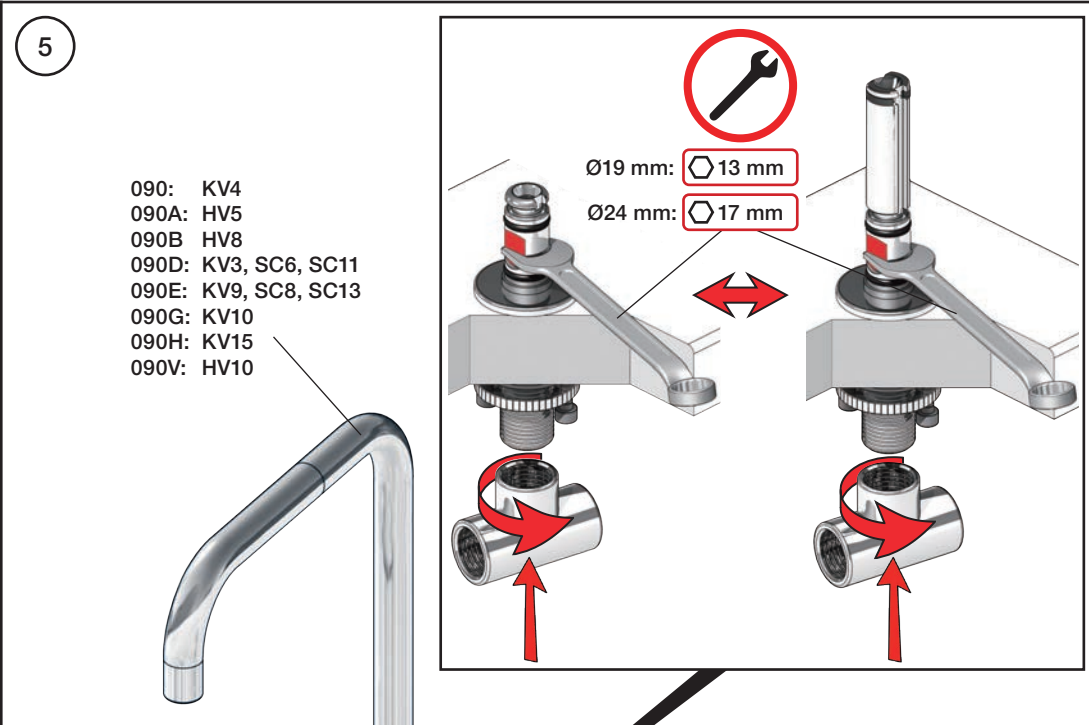
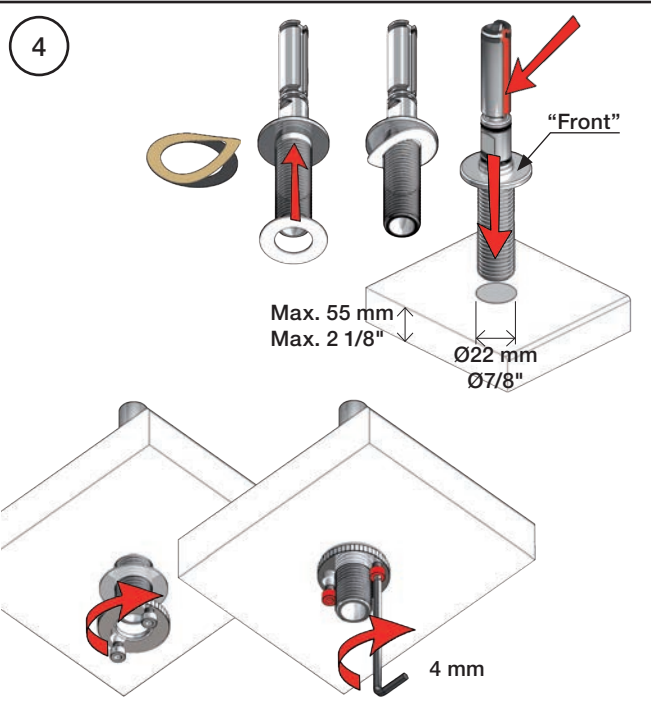
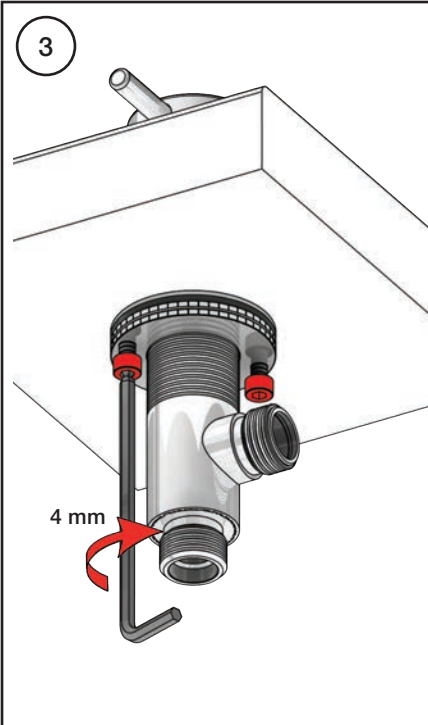


Data, 3 Bar/43.5 Psi:

| | l/min. | Gal/min. |
|---------------------|--------|----------|
| S50: | 32,0 | 8.5 |
| KV3: | 30,0 | 7.9 |
| KV4: | 9,0 | 2.4 |
| KV10, 15: | 9,0 | 2.4 |
| HV5, 8, 10: | 9,0 | 2.4 |
| SC2, 4 (A24): | 16,0 | 4.2 |
| SC6, 8, 11, 13: (C) | 26,0 | 6.9 |

Max. 65°C , 150°F



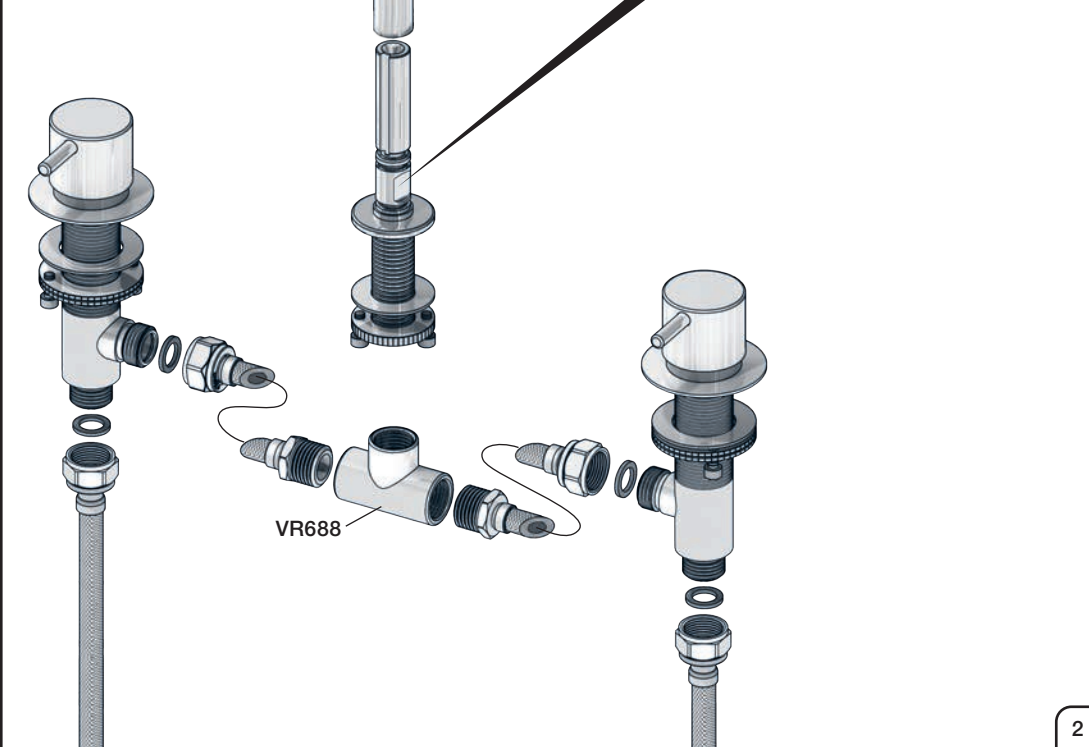
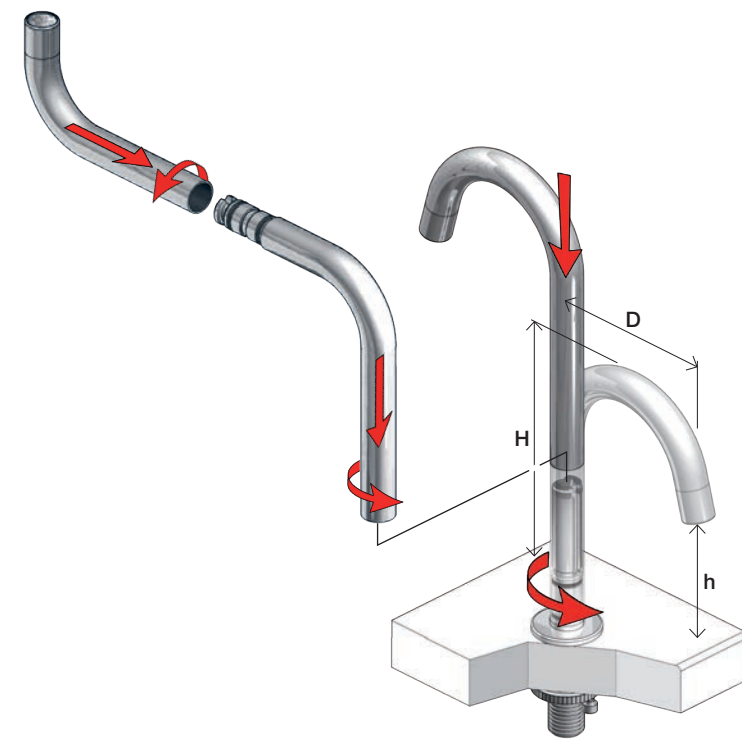


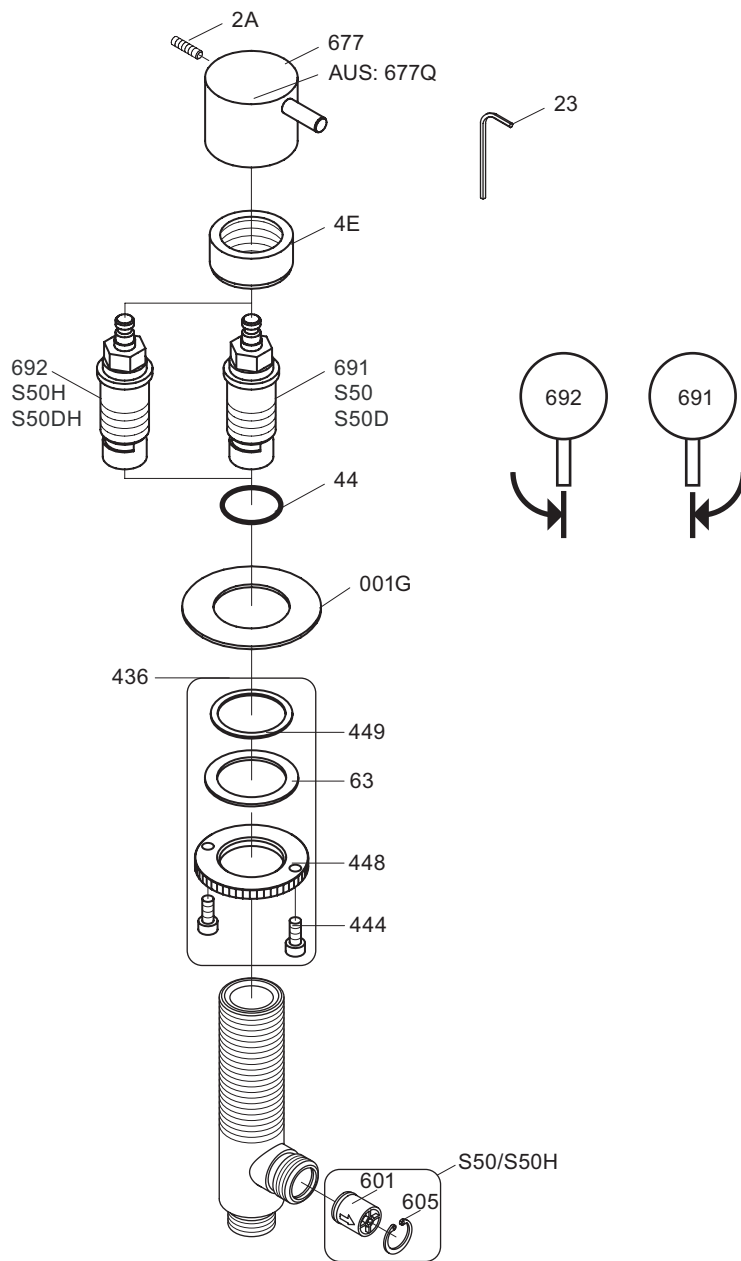
- 090: KV4
- 090A: HV5
- 090B: HV8
- 090D: KV3, SC6, SC11
- 090E: KV9, SC8, SC13
- 090G: KV10
- 090H: KV15
- 090V: HV10

4A

| mm: | H | D | h |
|------|-----|-----|-----|
| 090 | 210 | 200 | 145 |
| 090A | 110 | 85 | 40 |
| 090B | 185 | 100 | 114 |
| 090C | 185 | 100 | 114 |
| 090D | 220 | 200 | 130 |
| 090E | 170 | 200 | 65 |
| 090G | 185 | 140 | 105 |
| 090H | 265 | 230 | 155 |
| 090I | 325 | 230 | 216 |
| 090V | 355 | 145 | 270 |

| Inches: | H | D | h |
|---------|---------|--------|---------|
| 090 | 8 1/2" | 8" | 5 3/4" |
| 090A | 4 1/4" | 3 1/2" | 1 1/2" |
| 090B | 7" | 4" | 4 1/2" |
| 090C | 7" | 4" | 4 1/2" |
| 090D | 8 3/4" | 8" | 5" |
| 090E | 6 3/4" | 8" | 2 1/2" |
| 090G | 7" | 5 1/2" | 4" |
| 090H | 10 1/2" | 9" | 6" |
| 090I | 12 3/4" | 9" | 8 1/2" |
| 090V | 14" | 5 3/4" | 10 1/2" |





VR691i: VR23, VR44, VR691
 VR692i: VR23, VR44, VR692
 VR436: VR63, 2xVR444, VR448, VR449
 NR.7: VR2A, VR23, VR677



vola
 Lunavej 2
 DK-8700 Horsens
 Tlf : + 45 7023 5500
 sales@vola.com
 www.vola.com

VOLA S50/S50H VOLA S50D/S50DH

Date
 Sep. 09

Rev.
 2

Sheet
 SB 31.3