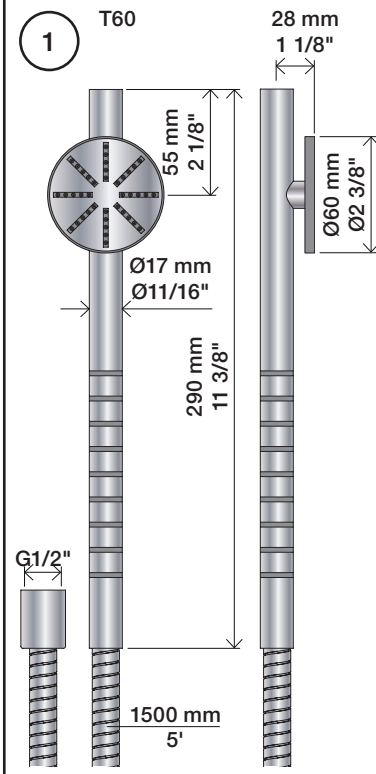
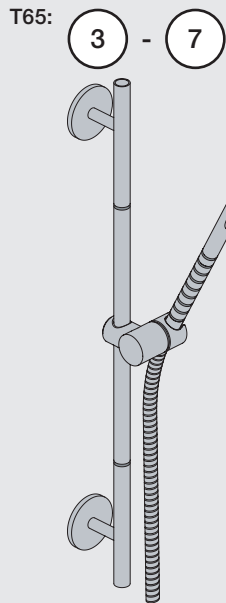
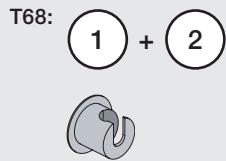
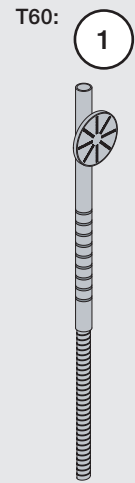


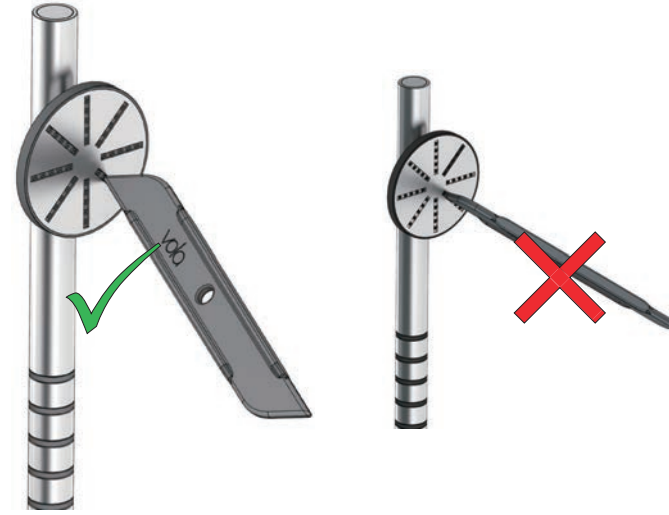
Fitting instruction
 Montageanleitung
 Monteringsvejledning
 Monteringsvægledning
 Montage hanleiding
 Manuel de montage



Data	Bar:	1	2	3	4	5
T60	(l/min) (Gal/min)	6.9 1.8	9.8 2.6	12 3.2	14 3.7	15 4.1
Max. 65°C. 150°F						

USA:
 Max. flow rate:
 1.6 Gal/min
 6.0 l/min.

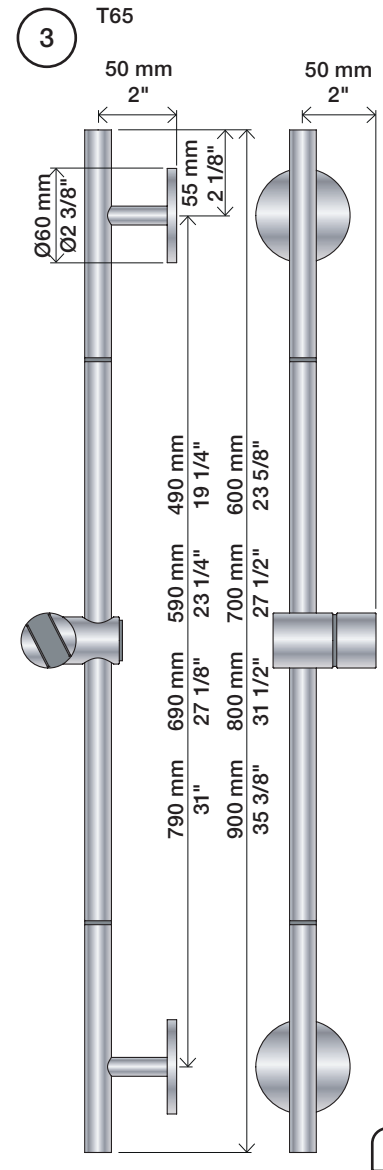
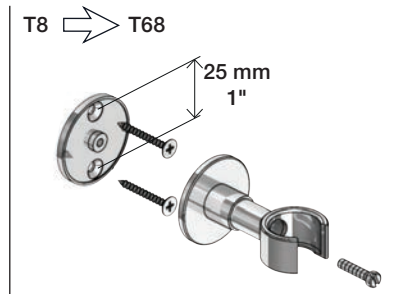
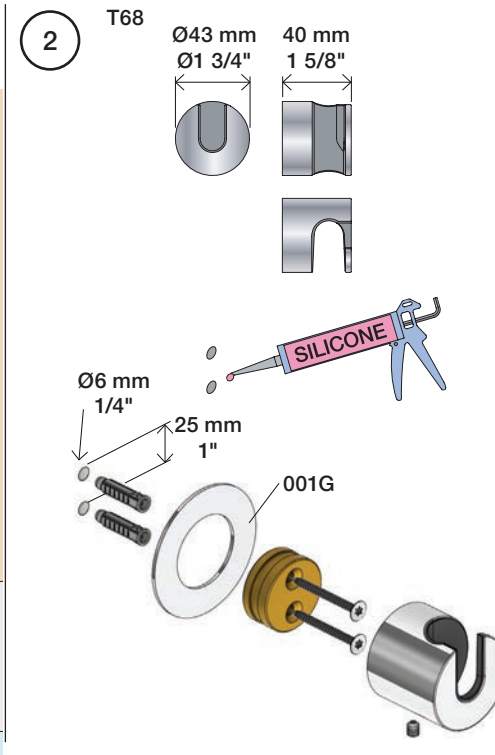
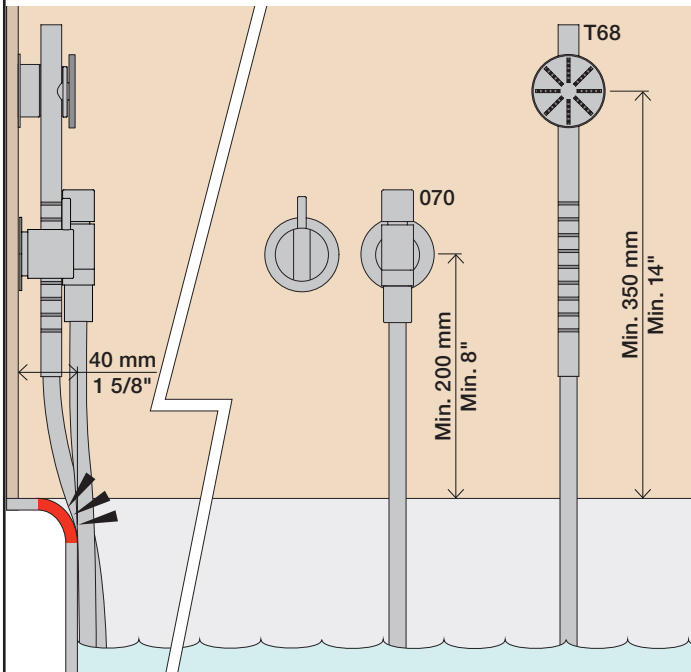
Service - VR556

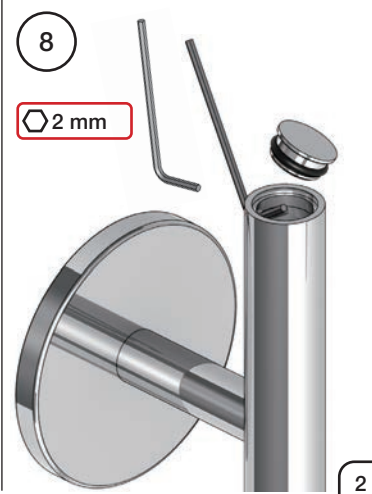
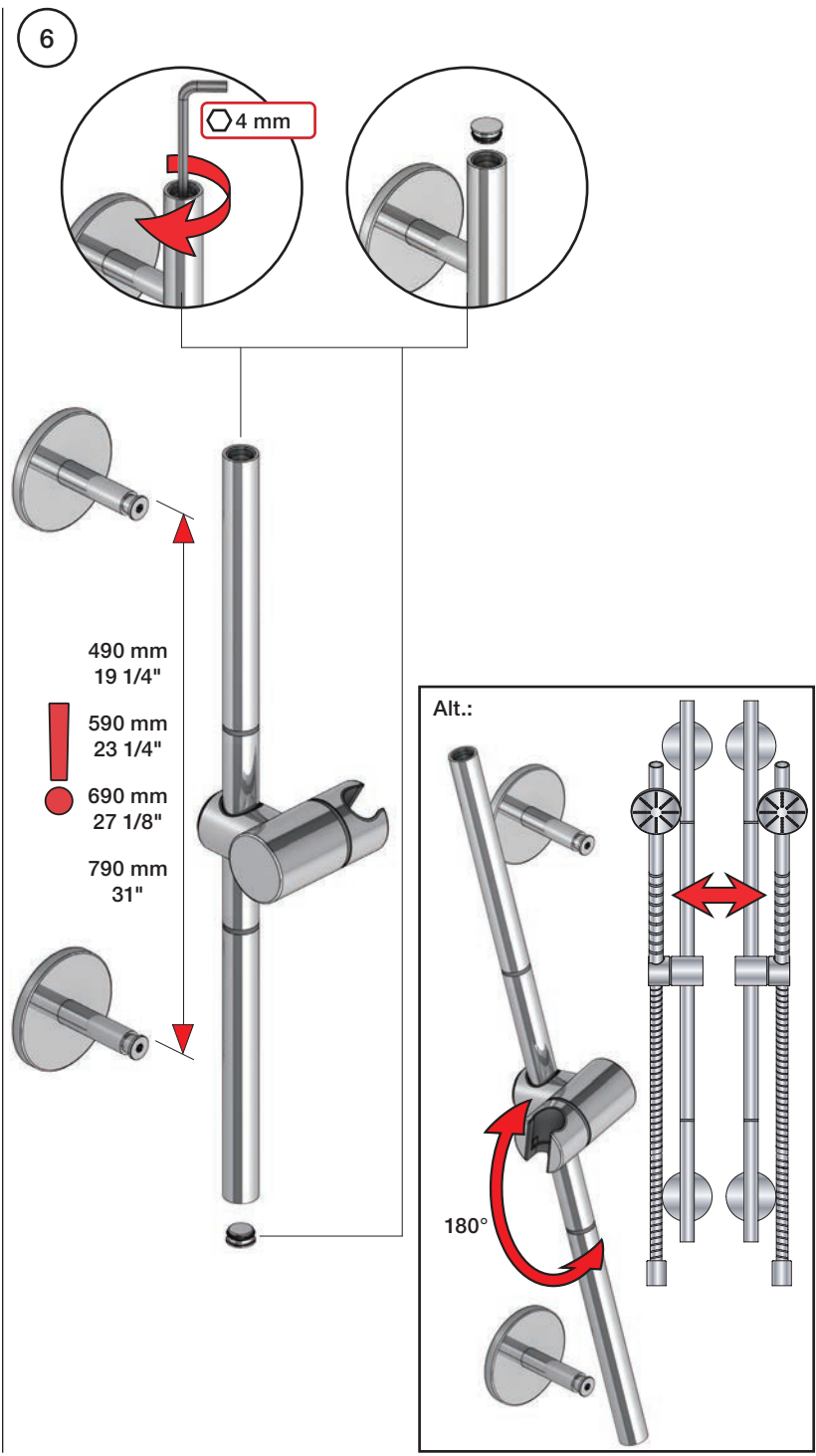
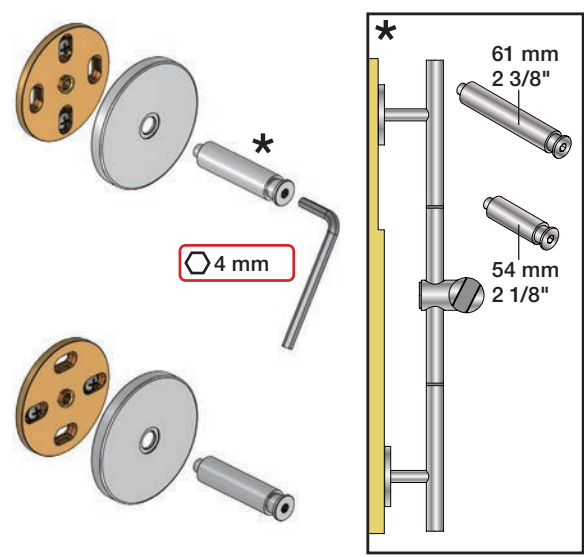
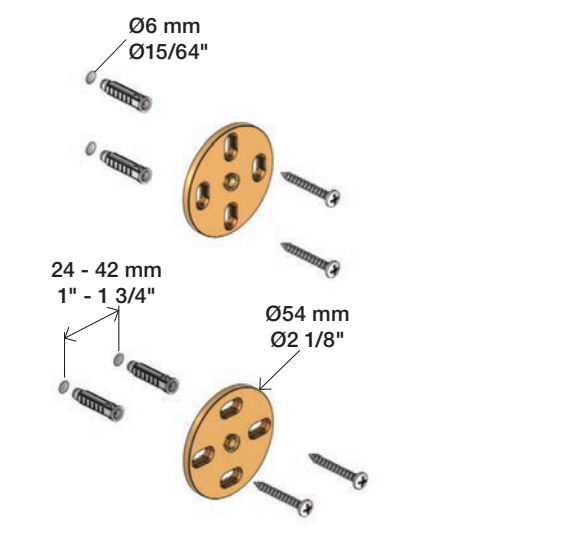
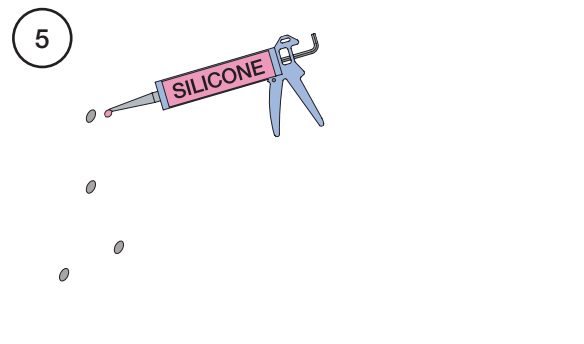
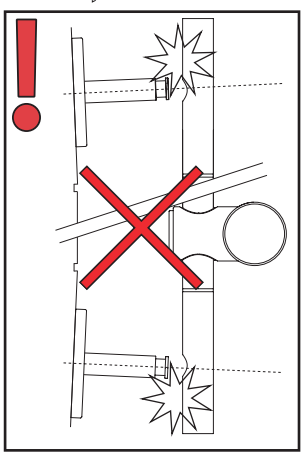
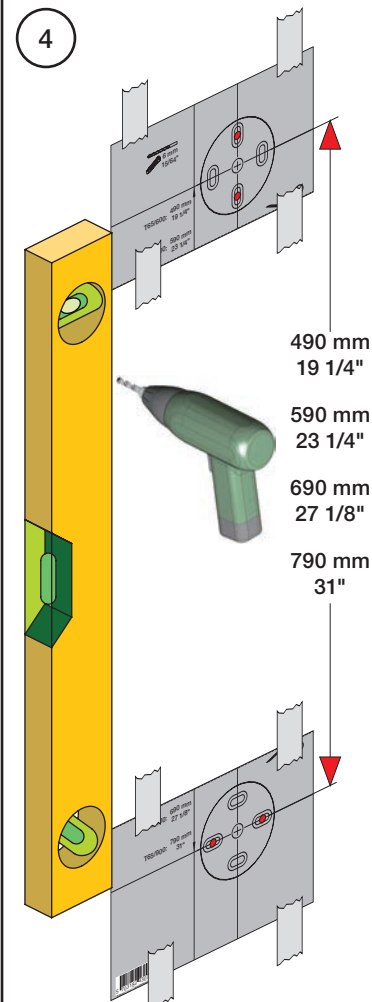


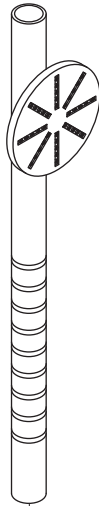
Bathtub
Badewanne

Badekar
Badkar

Badkuip
Baignoire





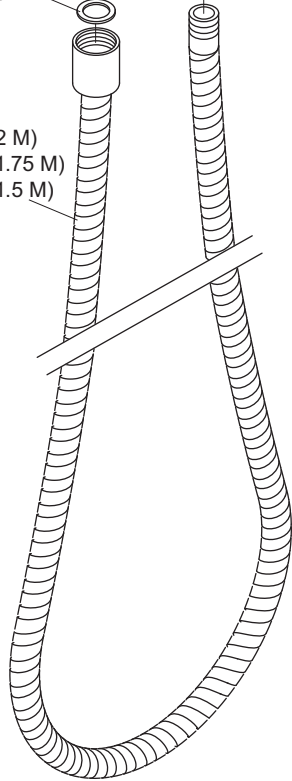


161L USA Only (2 Gal/min - 7.6 l/min - US Standard)

1575

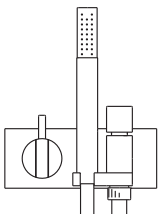
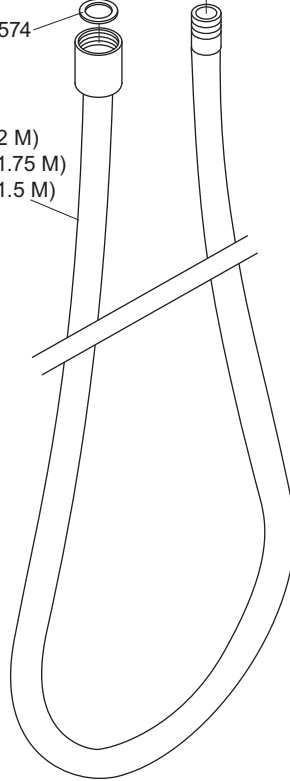
1574

1570 (2 M)
1570A (1.75 M)
1570B (1.5 M)



1574

1578 (2 M)
1578A (1.75 M)
1578B (1.5 M)



VOLA A/S
Lunavej 2
DK-8700 Horsens
Tlf : + 45 7023 5500
Fax: + 45 7023 5511
sales@vola.com
www.vola.com

VOLA T60

Dato

Mar. 15

Rev.

0

Blad

SB 42.60